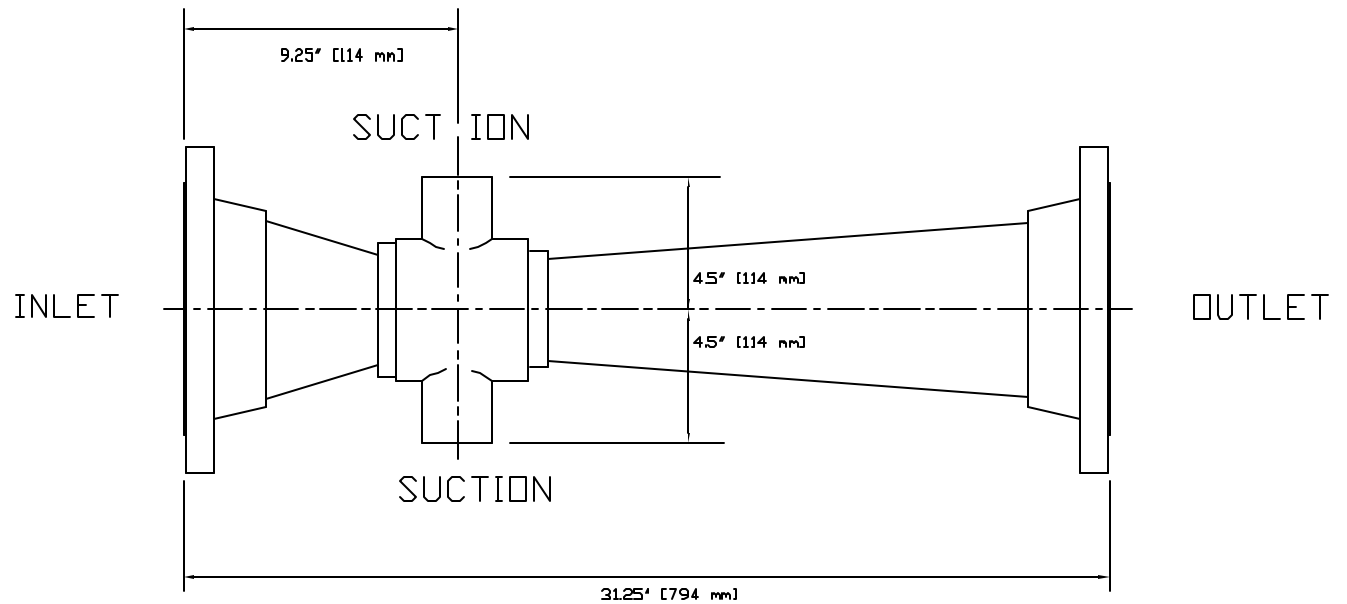
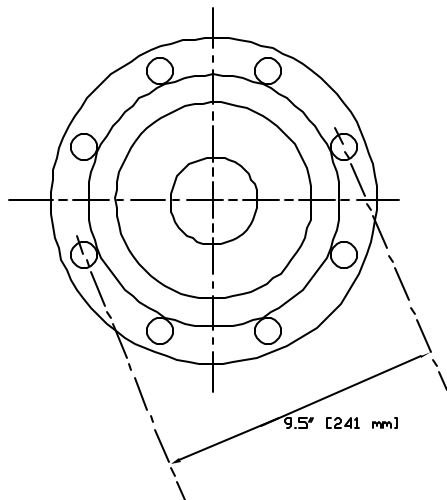


NOTES:

1. INLET AND OUTLET: 6" FLANGE 150# B16.5
2. DUAL SUCTION PORTS: 2" FEMALE NPT [50.8 mm]
3. MATERIAL OF CONSTRUCTION: TYPE 316L STAINLESS STEEL
4. BOLT HOLES: EIGHT (8) - 3/4" [19.1 mm]



Mazzei Injector Co. products are manufactured and sold under one or more of the following U.S. Patents: 6,193,893; 6,173,526; 5,951,922; 5,894,995; 5,863,128; 5,674,312; 5,338,341; 4,917,304; 4,123,800 and corresponding foreign patents. Other U.S. and foreign patents pending.



Mazzei Injector Company, LLC
 500 Rooster Drive, Bakersfield, CA 93307
 Tel: 661.363.6500 Fax: 661.363.7500

DATE	12-21-00	TITLE		
DRAWN BY	JRM	MODEL 6094-SS INJECTOR		
REVISED	6-4-03	NUMBER	JRM-26	SIZE
REVISED BY	JRM			REV.
SCALE	NONE	MATERIALS: SEE NOTES		PAGE (1) OF (1)

Mazzei Injector Company, LLC - Injector Performance

Injector Model

6094

The data in this table supercedes any previously published data

11/18/2010

Operating Pressure PSIG		Air Suction		Operating Pressure PSIG		Air Suction		
Injector Inlet	Injector Outlet	Motive Flow GPM	Air Suction SCFM	Injector Inlet	Injector Outlet	Motive Flow GPM	Air Suction SCFM	
10	0	500	71	70	0	1322	225	
	2		35		5		213	
	3		23		10		206	
	4		15		15		150	
	5		8		20		74	
	7.5		0		25		68	
20	0	707	100		30		52	
	2		93		35		46	
	3		71		40		39	
	4		44		45		30	
	5		33		50		19	
	7		23		60		0	
	10		13		80		0	250
	15		2				5	228
17	0	10	206					
30	0	866	140	15		200		
	3		135	20		83		
	5		107	25		60		
	10		35	30		51		
	15		22	35		44		
	20		11	40		41		
40	25.5	1000	0	50		39		
	0		170	60	15			
	5		167	67	0			
	10		67	0	230			
	15		37	5	225			
	20		27	10	222			
	25		20	15	212			
	30		11	20	137			
50	34	1118	0	25	89			
	0		205	30	62			
	5		190	35	55			
	10		134	40	48			
	15		63	50	34			
	20		43	60	32			
	25		35	70	22			
	30		25	75.5	0			
	35		17	90	0	235		
	40		7		5	238		
42	0	10	236					
60	0	1224	225		15	236		
	5		207		20	201		
	10		188		25	84		
	15		92		30	70		
	20		69		35	56		
	25		50		40	51		
	30		39		50	37		
	35		31	60	31			
	40		24	70	18			
	45		15	80	4			
51	0	84.5	0					

Mazzei Injector Company, LLC - Injector Performance

Injector Model

6094

The data in this table supercedes any previously published data

11/18/2010

Operating Pressure Kg/cm ²		Performance l/min		Operating Pressure Kg/cm ²		Performance l/min			
Injector Inlet	Injector Outlet	Motive Flow	Air Suction	Injector Inlet	Injector Outlet	Motive Flow	Air Suction		
0.7	0	1893	2010	4.9	0	5004	6371		
	0.14		991		0.35		6031		
	0.21		651		0.70		5833		
	0.28		425		1.1		4248		
	0.35		227		1.4		2095		
	0.53		0		1.8		1926		
1.4	0	2676	2832		2.1		1472		
	0.14		2633		2.5		1303		
	0.21		2010		2.8		1104		
	0.28		1246		3.2		850		
	0.35		934		3.5		538		
	0.49		651		4.2		0		
	0.70		368		5.6		0	5353	7079
	1.1		57				0.35		6456
1.2	0	0.70	5833						
2.1	0	3278	3964	1.1	5663				
	0.21		3823	1.4	2350				
	0.35		3030	1.8	1699				
	0.70		991	2.1	1444				
	1.1		623	2.5	1246				
	1.4		311	2.8	1161				
	1.8		0	3.5	1104				
2.8	0	3785	4814	4.2	425				
	0.35		4729	4.7	0				
	0.70		1897	6.3	0	5674	6513		
	1.1		1048		0.35		6371		
	1.4		765		0.70		6286		
	1.8		566		1.1		6003		
	2.1		311		1.4		3879		
2.4	0	1.8	2520						
3.5	0	4232	5805		2.1		1756		
	0.35		5380	2.5	1557				
	0.70		3794	2.8	1359				
	1.1		1784	3.5	963				
	1.4		1218	4.2	906				
	1.8		991	4.9	623				
	2.1		708	5.3	0				
	2.5		481	7	0	5985	6654		
	2.8		198		0.35		6739		
	3.0		0		0.70		6683		
4.2	0	4633	6371		1.1		6683		
	0.35		5862	1.4	5692				
	0.70		5324	1.8	2379				
	1.1		2605	2.1	1982				
	1.4		1954	2.5	1586				
	1.8		1416	2.8	1444				
	2.1		1104	3.5	1048				
	2.5		878	4.2	878				
	2.8		680	4.9	510				
	3.2		425	5.6	113				
	3.6		0	5.9	0				