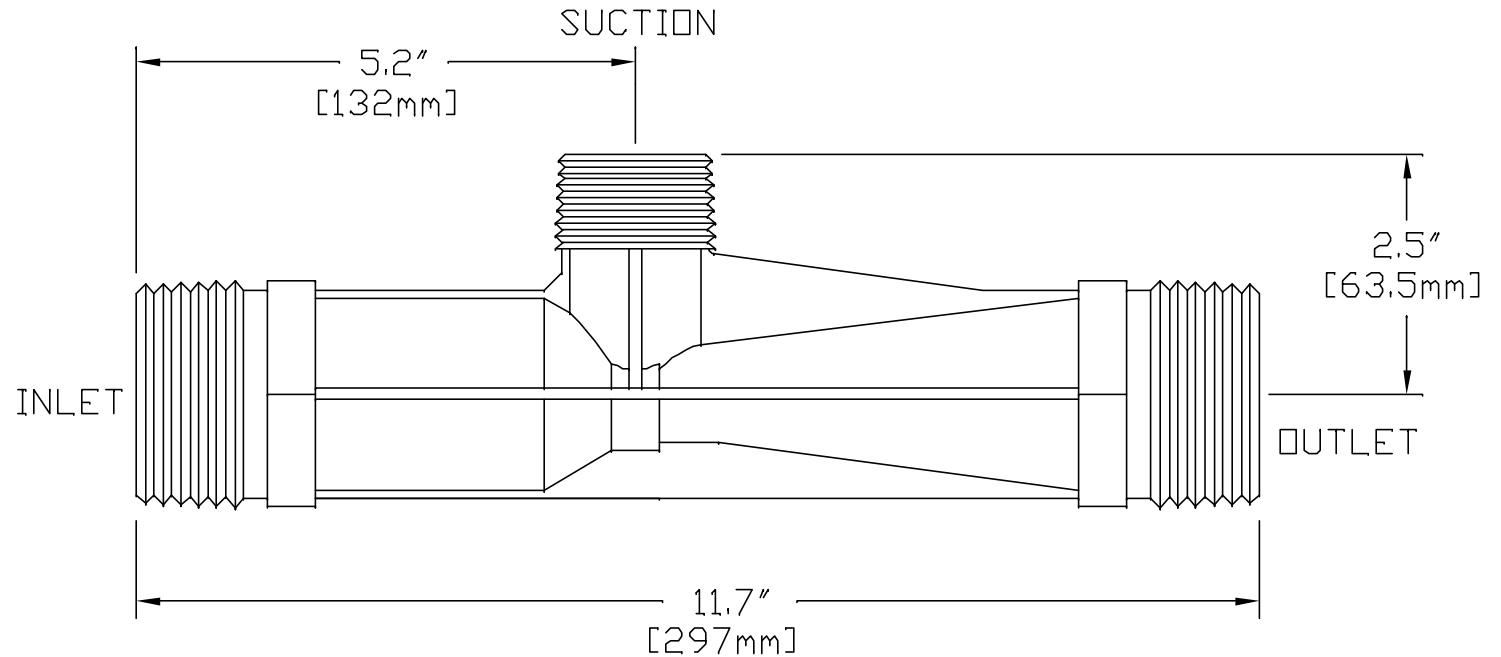


NOTES:

1. INLET AND OUTLET: 2" MNPT OR BSPT (ISO-R)
2. SUCTION PORT: 1.25" MNPT OR BSPT (ISO-R)
3. MATERIAL: GLASS REINFORCED POLYPROPYLENE OR PVDF (KYNAR)
4. MAXIMUM TEMPERATURE RATING:  
 POLYPROPYLENE: 150 F. (65.5 C.)  
 PVDF (KYNAR): 200 F. (93.3 C.)
5. MAXIMUM PRESSURE RATING AT 68 F. (20 C.)  
 POLYPROPYLENE: 150 PSIG (10.3 BAR)  
 PVDF (KYNAR): 200 PSIG (13.8 BAR)



Covered By United States Patent No. 5,863,128  
 International Patents Pending



**Mazzei**

Mazzei Injector Company, LLC  
 500 Rooster Drive, Bakersfield, CA 93307  
 Tel: 661.363.6500 Fax: 661.363.7500

DATE	12-19-00	TITLE	
DRAWN BY	JRM	MODEL 2081-A INJECTOR	
REVIEWED BY	RST	NUMBER	SIZE
SCALE	NONE	JRM-22	REV.
MATERIALS: SEE NOTES		PAGE (1) OF (1)	

<b>Mazzei Injector Company, LLC- Injector Performance Table</b>							
<b>Injector Model</b>				<b>2081</b>			
Operating Pressure PSIG		Water Suction		Operating Pressure PSIG		Water Suction	
Injector Inlet	Injector Outlet	Motive Flow GPM	Water Suction GPH	Injector Inlet	Injector Outlet	Motive Flow GPM	Water Suction GPH
<b>5</b>	0	34	630	<b>60</b>	0	119	631
	1		630		5		631
	2		630		10		631
	3		215		15		631
	4		136		20		631
<b>10</b>	0	48	630		30		600
	2		630		35		509
	5		468		40		381
	7		149		45		217
	8		30		0		631
<b>15</b>	0	59	631	<b>70</b>	5	128	631
	5		623		10		631
	7		576		15		631
	10		213		20		631
	12		77		30		631
<b>20</b>	0	68	631		40		529
	5		631		45		440
	10		468		50		326
	12		299		55		142
	15		152		0		631
<b>25</b>	0	77	631	<b>80</b>	5	137	631
	5		631		10		631
	10		627		15		631
	15		404		20		631
	20		134		30		631
<b>30</b>	0	84	631		40		604
	5		631		50		506
	10		631		60		270
	15		511		65		61
	20		341		0		631
<b>35</b>	0	91	631	<b>90</b>	5	145	631
	5		631		10		631
	10		631		20		631
	15		627		30		631
	20		460		40		631
<b>40</b>	0	97	631		50		602
	5		631		60		459
	10		631		70		179
	15		631		75		
	20		524		0		631
<b>45</b>	0	103	631	<b>100</b>	5	153	631
	5		631		10		631
	10		631		20		631
	15		631		30		631
	20		607		40		631
<b>50</b>	0	108	631		50		622
	5		631		60		594
	10		631		70		412
	15		631		80		121
	20		607		0		631
<b>50</b>	25	508	5	631			
	30	341	10	631			
	35	149	20	631			
	0	631	30	631			
	5	631	40	631			
	10	631	50	631			
	15	631	60	612			
	20	631	70	595			
25	588	80	523				
30	453	90	309				
35	300	100					
40	115						

Distribué par Ozone.ch SARL, Aulnes 1, 2400 Le Locle  
Tél: +41(0)32 841 77 55 - Fax: +41(0)32 841 77 57  
info@ozone.ch - www.ozone.ch

<b>Mazzei Injector Company, LLC - Injector Performance Table</b>							
<b>Injector Model</b>				<b>2081</b>			
Operating Pressure kg/cm2		Water Suction		Operating Pressure kg/cm2		Water Suction	
Injector Inlet	Injector Outlet	Motive Flow l/min	Water Suction LPH	Injector Inlet	Injector Outlet	Motive Flow l/min	Water Suction LPH
<b>0.35</b>	0.00	130	2384	<b>4.22</b>	0.00	449	2387
	0.07		2384		0.35		2387
	0.14		2384		0.70		2387
	0.21		812		1.05		2387
	0.28		514		1.41		2387
<b>0.70</b>	0.00	183	2384		2.11		2273
	0.14		2384		2.46		1925
	0.35		1770		2.81		1441
	0.49		565		3.16		820
	0.56		114		0.00		2387
<b>1.05</b>	0.00	224	2387	0.35	2387		
	0.35		2359	0.70	2387		
	0.49		2182	1.05	2387		
	0.70		807	1.41	2387		
	0.84		290	2.11	2387		
<b>1.41</b>	0.00	259	2387	2.81	2002		
	0.35		2387	3.16	1667		
	0.70		1772	3.52	1235		
	0.84		1130	3.87	538		
	1.05		574	0.00	2387		
<b>1.76</b>	0.00	290	2387	0.35	2387		
	0.35		2387	0.70	2387		
	0.70		2372	1.05	2387		
	1.05		1529	1.41	2387		
	1.41		508	2.11	2387		
<b>2.11</b>	0.00	317	2387	2.81	2287		
	0.35		2387	3.52	1915		
	0.70		2387	4.22	1020		
	1.05		1935	4.57	230		
	1.41		1292	0.00	2387		
	1.76		234	0.35	2387		
<b>2.46</b>	0.00	343	2387	0.70	2387		
	0.35		2387	1.41	2387		
	0.70		2387	2.11	2387		
	1.05		2372	2.81	2387		
	1.41		1741	3.52	2278		
	1.76		968	4.22	1736		
<b>2.81</b>	0.00	366	2387	4.92	678		
	0.35		2387	5.27			
	0.70		2387	0.00	2387		
	1.05		2387	0.35	2387		
	1.41		1982	0.70	2387		
	1.76		1493	1.41	2387		
<b>3.16</b>	2.11	389	639	<b>7.03</b>	579	2.11	2387
	2.46		1921			2.81	2387
	0.00		2387			3.52	2353
	0.35		2387			4.22	2247
	0.70		2387			4.92	1561
	1.05		2387			5.62	457
	1.41		2296			0.00	2387
	1.76		1921			0.35	2387
<b>3.52</b>	2.11	410	1292	<b>8.44</b>	598	0.70	2387
	2.46		564			1.41	2387
	2.81		436			2.11	2387
	0.00		2387			2.81	2387
	0.35		2387			3.52	2387
	0.70		2387			4.22	2317
	1.05		2387			4.92	2253
	1.41		2225			5.62	1980
	1.76		1714			6.33	1171

Distribué par Ozone.ch SARL, Aulnes 1, 2400 Le Locle  
Tél: +41(0)32 841 77 55 - Fax: +41(0)32 841 77 57  
info@ozone.ch - www.ozone.ch

Mazzei Injector Company, LLC - Injector Performance Table							
Injector Model				2081			
Operating Pressure PSIG		Air Suction		Operating Pressure PSIG		Air Suction	
Injector Inlet	Injector Outlet	Motive Flow GPM	Air Suction SCFH	Injector Inlet	Injector Outlet	Motive Flow GPM	Air Suction SCFH
5	0	33		60	0	114	1046
	1				5		865
	2				10		667
	3				15		422
	4				20		301
10	0	46	422		30		152
	2		230		35		139
	5		61		40		127
	7		48		45		105
	8		33				
15	0	57	523	70	0	123	1129
	5		150		5		955
	7		80		10		790
	10		63		15		568
	12		41		20		405
20	0	66	606		30		198
	5		244		40		152
	10		88		45		141
	12		79		50		125
	15		61		55		96
25	0	73	670	80	0	131	1202
	5		365		5		1031
	10		137		10		894
	15		88		15		697
	20		52		20		485
30	0	80	734		30		281
	5		468		40		175
	10		211		50		153
	15		107		60		120
	20		89		65		85
35	0	87	798	90	0	139	
	5		559		5		
	10		287		10		
	15		140		20		
	20		107		30		
40	0	93	853		40		
	5		634		50		
	10		344		60		
	15		199		70		
	20		124		75		
45	0	98	899	100	0	147	
	5		696		5		
	10		433		10		
	15		259		20		
	20		144		30		
	25		123		40		
	30		109		50		
	35		80		60		
50	0	104	954		0		
	5		761		5		
	10		519		10		
	15		321		20		
	20		195		30		
	25		139		40		
	30		125		50		
	35		109		60		
40	74	70					

Distribué par Ozone.ch SARL, Aulnes 1, 2400 Le Locle  
Tél: +41(0)32 841 77 55 - Fax: +41(0)32 841 77 57  
info@ozone.ch - www.ozone.ch

Mazzei Injector Company, LLC - Injector Performance Table										
Injector Model				2081						
Operating Pressure Kg/cm2		Air Suction		Operating Pressure Kg/cm2		Air Suction				
Injector Inlet	Injector Outlet	Motive Flow l/min	Air Suction l/min	Injector Inlet	Injector Outlet	Motive Flow l/min	Air Suction l/min			
0.35	0.00	125		4.22	0.00	431	494			
	0.07				0.35		408			
	0.14				0.70		315			
	0.21				1.05		199			
	0.28				1.41		142			
0.7	0.00	174	199				2.11		72	
	0.14				108			2.46		66
	0.35				29			2.81		60
	0.49				23			3.16		49
	0.56				16			0.00		533
1.05	0.00	216	247	4.92	0.35	466	451			
	0.35				0.70		373			
	0.49				1.05		268			
	0.70				1.41		191			
	0.84				1.76		93			
1.41	0.00	250	286				2.11		72	
	0.35				115			2.81		67
	0.70				42			3.16		59
	0.84				37			3.52		45
	1.05				29			3.87		567
1.76	0.00	276	316	5.62	0.00	496	487			
	0.35				0.35		422			
	0.70				0.70		329			
	1.05				1.05		229			
	1.41				1.41		132			
2.11	0.00	303	346				2.11		83	
	0.35				221			2.81		72
	0.70				100			3.52		57
	1.05				50			4.22		40
	1.41				42			4.57		
2.46	0.00	329	377	6.33	0.00	526				
	0.35				0.35					
	0.70				0.70					
	1.05				1.41					
	1.41				2.11					
2.81	0.00	352	403				2.81			
	0.35				264			3.52		
	0.70				135			4.22		
	1.05				66			4.92		
	1.41				51			5.27		
3.16	0.00	371	424	7.03	0.00	556				
	0.35				0.35					
	0.70				0.70					
	1.05				1.41					
	1.41				2.11					
3.52	0.00	394	450				2.11			
	0.35				329			2.81		
	0.70				204			3.52		
	1.05				122			4.22		
	1.41				68			4.92		
			58		5.62					
			51							
			38							
			450							
			359							
			245							
			152							
			92							
			66							
			59							
			52							
			35							

Distribué par Ozone.ch SARL, Aulnes 1, 2400 Le Locle  
Tél: +41(0)32 841 77 55 - Fax: +41(0)32 841 77 57  
info@ozone.ch - www.ozone.ch